



READ AND SAVE THESE IMPORTANT INSTRUCTIONS

Evaporative Vortex Humidifier Owner's Guide

LIRE ET CONSERVER CES INSTRUCTIONS IMPORTANTES

Guide de L'utilisateur

LEA Y TENGA EN CUENTA ESTAS INSTRUCCIONES IMPORTANTES

Guía del propietario

www.vornado.com

MODEL EVAP2

Designed, engineered and supported in Andover, Kansas.
Conception, mise au point et soutien technique effectués à Andover, au Kansas.
Diseño y soporte en Andover, Kansas.

Questions or comments?
Vous avez des questions ou des commentaires?
¿Preguntas o comentarios?



www.vornado.com



consumerservice@vornado.com



800.234.0604

IMPORTANT INSTRUCTIONS

READ AND SAVE ALL INSTRUCTIONS BEFORE USING THIS HUMIDIFIER.

When using electrical appliances, basic precautions should always be followed to reduce the risk of fire, electrical shock and injury to persons, including the following:

- DO read all instructions before using this Humidifier.
- DO turn the Humidifier off if the relative humidity exceeds 60%. Humidity levels above 60% may allow moisture to build up indoors and condense on surfaces, where microorganisms can settle and grow. For accurate humidity readings, use a hygrometer which is available at most hardware stores and home centers.
- DO unplug the Humidifier prior to moving, cleaning or refilling.
- DO unplug and empty this Humidifier when not in operation.
- DO empty water from the unit if the Humidifier is to be turned off and left for more than 12 hours, as leaving the water will encourage the growth of microorganisms. If this happens, thoroughly clean and disinfect the unit. (Refer to the WEEKLY MAINTENANCE.)
- DO remove the Water Reservoir first if you need to move the Humidifier to another location.
- This Humidifier requires periodic cleaning. Refer to the WEEKLY MAINTENANCE instructions provided. **DO NOT** clean the Humidifier in any manner other than as instructed in this manual.
- **DO NOT** use this Humidifier on an uneven surface. Always place this Humidifier on a firm, flat surface.
- **DO NOT** defeat the safety purpose of the polarized plug. This product is equipped with a polarized alternating current line plug (a plug having one blade wider than the other). This plug will fit into the power outlet only one way. This is a SAFETY FEATURE. If you are unable to insert the plug fully into the outlet, try reversing the plug. If the plug still fails to fit, contact an electrician to replace the obsolete outlet.
- **DO NOT** operate the Humidifier with a damaged cord or plug, after the Humidifier malfunctions, or has been dropped or damaged in any manner. Return to Vornado for examination, electrical or mechanical adjustment or repair.
- **DO NOT** run power cord under carpeting.
- **DO NOT** cover cord with throw rugs, runners or similar objects. Arrange the power cord away from traffic areas, so it will not become a tripping hazard.
- **DO NOT** place the Humidifier near heat sources such as stoves, radiators or heaters.
- **DO NOT** pour water through the top Outlet Air Grill on the Power Head.
- **DO NOT** use undiluted bleach or ammonia, strong detergents, abrasive cleansers, gasoline, paint thinner or other solvents to clean this Humidifier. Use only water and mild detergents to perform daily maintenance on your Humidifier.

IMPORTANT INSTRUCTIONS

- **DO NOT ATTEMPT TO DISASSEMBLE THE POWER HEAD. DOING SO WILL VOID YOUR WARRANTY AND COULD CAUSE DAMAGE AND/OR PERSONAL INJURY.** The Power Head contains no user serviceable parts. If you experience a problem, please see the limited warranty for information.
- **DO NOT** repeatedly remove and replace the Water Reservoir. This will overflow the Base and water will spill out.
- Humidifiers should be kept away from children and not be placed in a child's room without supervision.
- See page 5 for parts listing and identification.
- If you have any questions regarding this product, please call Vornado Consumer Service, toll-free at 1-800-234-0604, or consumerservice@vornado.com.

SAVE THESE INSTRUCTIONS

VORNADO® EVAP2 HUMIDIFIER PARTS

While your Vornado® Evaporative Humidifier requires no assembly, you will need to know how to remove the Water Reservoir and Filter for cleaning, maintenance, and filter replacement. The components are as follows:

AIR OUTLET GRILL

Initiates Vornado's signature Vortex circulation.

POWER HEAD

Powerful motor circulates humidified air throughout the whole room.

INLET GRILLS

Designed for efficient air intake.

BASE

Durable and easy to clean.

CONTROL PANEL

Easily operate with a power switch that turns the unit ON/OFF and enables you to select the fan speed. Offers HIGH, LOW or AUTO speed selection. Control the humidity level between 40% -60%, or allow the unit to run continuously. Choose FAN ONLY for increased fan speed without humidity output. LED indicator lights display current settings.

HUMIDISTAT

Reads humidity in the room for automatic humidity control.

WATER RESERVOIR

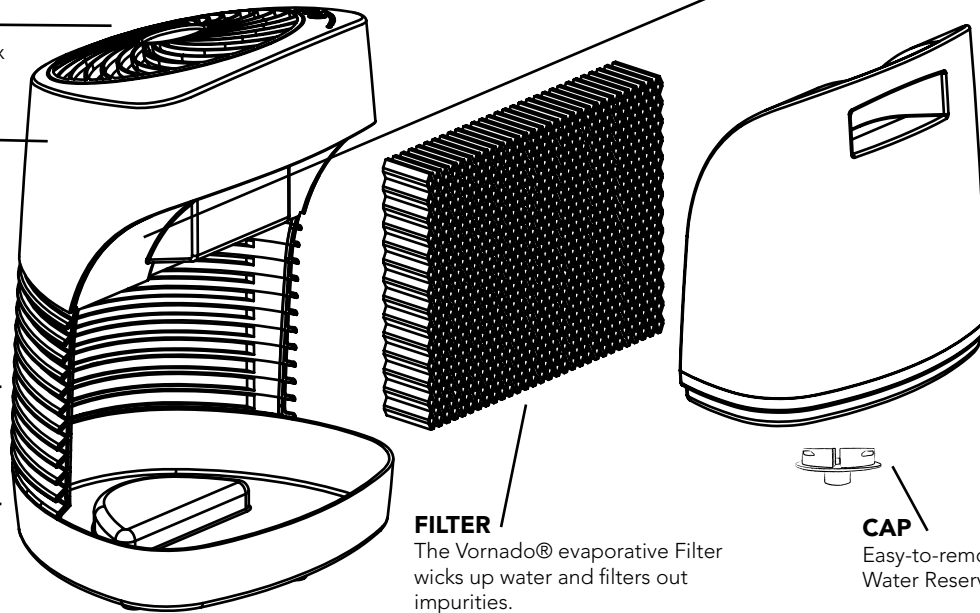
Large 1.1 gallon capacity allows for less refills.

FILTER

The Vornado® evaporative Filter wicks up water and filters out impurities.

CAP

Easy-to-remove Cap for convenient Water Reservoir refilling.



BEFORE OPERATING

DO NOT lift the Humidifier out of the carton by the recessed handle on the Water Reservoir. This will cause the Reservoir to detach from the unit and might cause the Humidifier to drop and become damaged. Reach under the Humidifier in the carton, grasp and lift from the bottom.

Your new Humidifier uses a sizable volume of water, so we recommend checking the Base and Water Reservoir for leaks that may have occurred due to damage caused in shipping.

Please note a visual inspection may not reveal hairline fractures.

TO CHECK FOR LEAKS:

- Place Humidifier on a water-resistant surface.
- Remove the Water Reservoir and fill with water to inspect for leaks (For instructions see FILLING AND INSTALLING THE WATER RESERVOIR.)
- Next, pour several cups of water into the Base to inspect for leaks.

NOT LEAKING?

Empty water from Base and install the full Water Reservoir (See FILLING AND INSTALLING THE WATER RESERVOIR for complete instructions).

LEAKING?

In the slight chance your Humidifier has leaks, contact Vornado Consumer Service and we will immediately replace these parts. 1-800-234-0604 or consumerservice@vornado.com

GETTING STARTED

The following pages will provide instruction on:

- Filling & Installing the Water Reservoir
- How to Use
- Operating Guidelines
- Operating Notes and Suggestions
- Cleaning
- End of Season Maintenance
- Filter Replacement

FILLING & INSTALLING THE WATER RESERVOIR

This Humidifier has a 1.1 gallon capacity and 2 gallon output in 24 hours. When it needs refilling, follow these simple instructions: Unplug the Humidifier. Be sure the Humidifier is placed on a firm, flat and level surface (we recommend the floor). As with any water filled appliance, spills can occur, so be careful when filling and installing the Water Reservoir, and cleaning or moving the Humidifier.

ADDING WATER

Remove the Water Reservoir by grasping the recessed handle and pulling towards you. (A). Turn the Reservoir upside down. Remove the Cap (B). If refilling the Reservoir, empty any water left inside the Reservoir prior to refilling. Place the Reservoir in the sink upside down. Fill the Reservoir with cool tap water (C). Once filled, insure the Gasket, the rubber ring around the Cap, is in position and replace and fasten the Cap. Some downward pressure may be needed to compress the Gasket prior to rotating the Cap 1/4 turn clockwise to the fully installed position.

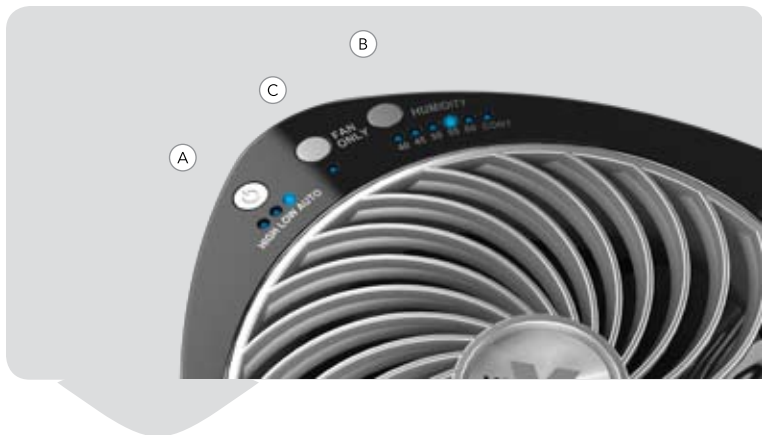
INSTALLING THE WATER RESERVOIR

Lower the Reservoir into the Base, positioning the fill port over the raised bump. The bump will activate the water outlet valve inside the Cap once in a nested position. Insure the Reservoir is setting firmly in the Base.



QUICK DAILY MAINTENANCE

1. Empty Reservoir before refilling with clean water. Rinse, wipe clean and dry with clean cloth or paper towel.
2. Refill Reservoir with cool, clean tap water. Do not overfill.
3. Lower humidity control settings or turn off Humidifier if moisture forms on walls or windows.



HOW TO USE

STEP 1

Position the unit to not blow directly on objects or plants. Plug the unit into a 110-120 volt AC outlet.

STEP 2

To turn unit on, press the Power button (A). The indicator lights for Fan Speed (A) and Humidity level (C) will turn on in the default setting - HIGH fan speed, Continuous humidity.

STEP 3

Adjust settings for desired operation.

(A) **Power Button, Fan Speed - HIGH, LOW and AUTO**

Select the fan speed by pressing the power button until the desired setting is illuminated.

HIGH - operation for fast humidification for larger rooms. High speed operation will evaporate 2 gallons of water (+/- 10%) in 24 hours of continuous operation. (This assumes room conditions of 70° F and 30% relative humidity.)

LOW — operation for quiet, nighttime use or smaller rooms. On LOW operation, your Humidifier may run without refilling for extended periods.

AUTO - operation for more precise humidity control. Fan speed will fluctuate between high, low and off to better maintain set humidity level with the minimal amount of fan noise.

(B) **HUMIDITY Level Control - 40% - 60%, or Continuous**

Set the humidity level by pressing the HUMIDITY button until the desired humidification level is illuminated. The Humidifier will operate until the desired humidity level is reached. At this point, the fan will turn off, or to low speed if the fan is set to AUTO mode. The humidity level indicator light will remain on. If the fan does not turn on, the humidity setting may be lower than the room humidity level. Increase the humidity set point until the fan turns on. This is an indication of the level of humidity already in the room.

(C) **FAN ONLY**

Select for Vornado's signature vortex circulation without humidity output. In FAN ONLY mode - Fan Speed (A) and Humidity (B) operation will not be available. The fan speed will run at a higher setting and there will be no humidity output. To ensure no humidity output, remove the filter and thoroughly dry the inside of the Base. (For instructions on how to remove the filter, see FILTER REPLACEMENT on page 11.)

OPERATING GUIDELINES

READ BEFORE USING

A Humidifier is quite useful in supplying necessary moisture to dry air. It should be used with proper care to prevent over-humidification. A good rule of thumb would be to gauge the condensation or frost on windows. Adjust your Humidifier to a point where this condition is at a minimum. These adjustments should be made when major changes in outdoor temperatures occur. Humidifiers can be placed in any living area that has a location that is convenient and provides distribution of the moist air to the living area.

The measured output of a Humidifier is based upon continuous operation at standard rating conditions. With normal variations of indoor and outdoor conditions, the Humidistat controlled Humidifier will not run continuously, at maximum output, unless the controls are set to do so.

Initial Humidity requirements: When initially installed or when placed in operation at the beginning of each season, the Humidifier equipped with a Humidistat may run constantly for a day or so and thus evaporate large quantities of moisture. When the home and its furnishings have absorbed moisture and become stabilized at the desired humidity level, the amount of water used will diminish and the Humidifier operation will maintain the desired humidity level.

If you do not follow the recommended care and maintenance guidelines, microorganisms may be able to grow in the water within the Humidifier's Reservoir and Base. (See CLEANING for care instructions.)

OPERATING NOTES AND SUGGESTIONS

There are several things to be aware of as your Vornado® Evaporative Humidifier is operating.

It is normal to hear a bubbling or gurgling sound as water is dispensed into the Base.

If you operate your Humidifier continuously, it may need to be refilled with water every day. Simply look through the Reservoir to be certain that there is an adequate water supply for operation.

Protect the Water Reservoir from damage. Any holes or other damage to the Reservoir may cause it to dispense water onto the floor or other surfaces.

When installing the Filter, make certain it is in the proper position, flush along the open Inlet Grill and resting flat on the Base.

On first use, the Filters may give off a mild odor. The odor is not harmful and will go away after the first few hours of operation. If the odor is exceptionally strong, you can help eliminate most or all of it by soaking the Filters for 20 to 30 minutes in a solution of 1 gallon water to 2 teaspoons white vinegar. Rinse thoroughly.

If you shut your Humidifier off with water in the unit and do not turn it back on for 12 hours or longer, you may experience some growth of algae or bacteria. If this happens, we recommend a thorough cleaning of the unit. (See CLEANING instructions.)

We recommend you operate your Humidifier continuously. This helps maintain humidity all day long, costs only pennies a day, and will not harm the unit.

CLEANING

Cleaning is recommended for proper operation of your Vornado® Humidifier. We suggest following the AHAM (Association of Home Appliance Manufacturers) cleaning regiment several times during the season.

STEP 1 - Turn the Humidifier OFF and unplug the unit.

STEP 2 - Remove the Water Reservoir and Filter. (See page 11 for instructions).

STEP 3 - Empty the Base and Water Reservoir and rinse with clean tap water.

As noted, depending on the quality of water in your home, impurities can build up quickly or may take some time. It is possible that some scale may form on the inside of the Base.

TO CLEAN BASE

1. Mix a solution of one (1) 8 oz. cup of undiluted white vinegar and 1 gallon of water. Fill the Base with the solution; discard any remaining solution. Let solution stay for 20 minutes.
2. Empty after 20 minutes and clean all interior surfaces with soft brush. Dampen soft cloth with undiluted white vinegar and wipe out Base to remove scale.
3. Rinse thoroughly with clean warm water to remove scale and cleaning solution before disinfecting the Base.

DISINFECTING THE BASE

1. Mix a solution of 1 teaspoon chlorine bleach and 1 gallon of water. Fill the Base with the solution, discard any remaining solution. Let solution stay 20 minutes. Wet all surfaces.
2. Empty Base after 20 minutes. Rinse with water until bleach smell is gone. Dry with clean cloth or paper towel.
3. We recommend replacing the Filter after use, but to prolong the life of the Filter, disinfect by washing it in a solution of one teaspoon of chlorine bleach in one gallon of water. Rinse thoroughly to get rid of the bleach odor.
4. Reinstall the Filter and Water Reservoir. For proper operation, all components must be properly installed.

END OF SEASON MAINTENANCE

1. Follow weekly maintenance instructions at end of humidification season or when Humidifier will not be used for at least one week or more.
2. Let Humidifier dry completely before storing. Do not store with water inside Reservoir or Base.
3. Store in cool, dry location.
4. Remove and discard the Filter if it is not suitable for reuse. Do not store the Humidifier with a wet Filter. If the Filter is suitable for future use, remove and empty water from the Base and Water Reservoir, replace the Water Reservoir, turn the Power knob to the high fan speed and allow the unit to run until the Filter is completely dry.
Don't forget to purchase new Vornado Filters now so your Humidifier will be ready for the next season. Visit vornado.com to purchase new filters or sign up for the Automatic Filter Replacement Program.
5. Clean Humidifier before next season begins.

FILTER REPLACEMENT

The Filter may accumulate minerals and other impurities that occur naturally in any water supply. While your Humidifier came equipped with a Filter, you will eventually have to replace it, as they last approximately 4-8 weeks, depending on use. You will know the Filter needs to be replaced when it becomes hard and is no longer absorbing the water effectively. Replace the Filter with only a genuine Vornado® brand Filter. While other brands may fit our units, these filters do not carry the same quality and life as our own and can diminish the Humidifier's performance.

TO REPLACE THE FILTER

STEP 1 - Unplug the unit.

STEP 2 - Remove Water Reservoir (A).

STEP 3 - Remove and discard used Filter.

STEP 4 - Install a new genuine Vornado Filter by slightly bending the Filter to match the curve of the unit. Make sure the Filter fits flush against the bottom of the unit and snug against the Inlet Grill.

STEP 5 - Replace the Water Reservoir.



TO EXTEND FILTER LIFE

Problem: The additional sodium in chemically softened water may cause Filters to harden or become mushy.

Solution: Try using untreated or tap water.

Problem: Hard water or water with excessive minerals such as lime or iron may shorten Filter life.

Solution: Try Bacteriostat or Water Treatment found at most hardware or home specialty stores. Or periodically remove the Filters and clean, by soaking them in cool tap water (enough to cover the Filters) and two teaspoons of white vinegar. Let stand 20 minutes, then rinse in cool water. Allow excess water to run off and dry before replacing them in the Base. DO NOT wring.

Problem: Leaving the Filters too long in a filled Humidifier without the fan running may cause mold, mildew, and deterioration.

Solution: If Humidifier is filled, do not leave it off for more than eight hours.

TO FIND REPLACEMENT FILTERS

Check your local retailer for Vornado Filters or order by contacting Vornado Consumer Service at: www.vornado.com, consumerservice@vornado.com or by calling 1.800.234.0604.

VORNADO'S AUTOMATIC FILTER REFILL PLAN

This Program offers a convenient and hassle-free way to receive regular shipments of genuine Vornado Humidifier Filters, direct to your door! Eliminate the hassle of remembering to reorder. Maintain the high efficiency of your Vornado Humidifier by regularly replacing used Filters with fresh new ones.

HOW IT WORKS

You select a plan and Vornado will send replacement Filters at the recommended maintenance interval. To sign up or for more information visit www.vornado.com or call 1-800-234-0604. Cancel anytime.

VORNADO AIR LLC

5-YEAR LIMITED WARRANTY

Vornado Air LLC (“Vornado”) warrants to the original consumer or purchaser this Vornado Evaporative Vortex Humidifier Evap 2 (“Product”) is free from defects in material or workmanship for a period of five (5) years. If any such defect is discovered within the warranty period, Vornado, at its discretion, will repair or replace the Product at no cost. Repairs not covered by the warranty or outside the warranty period will require a fee to cover the cost of materials, labor, handling and shipping.

This warranty does not apply to defects resulting from abuse of the Product, modification, alteration, repair or service of the Product by anyone other than Vornado, mishandling, improper maintenance, commercial use of the Product, damages which occur in shipment or are attributed to acts of God.

REPAIR OR REPLACEMENT AS PROVIDED UNDER THIS WARRANTY IS THE EXCLUSIVE REMEDY OF THE CONSUMER. VORNADO SHALL NOT BE LIABLE FOR ANY INCIDENTAL OR CONSEQUENTIAL DAMAGES FOR BREACH OF ANY EXPRESS OR IMPLIED WARRANTY ON THIS PRODUCT. EXCEPT TO THE EXTENT PROHIBITED BY APPLICABLE LAW, ANY IMPLIED WARRANTY OF MERCHANTABILITY OR FITNESS FOR A PARTICULAR PURPOSE ON THIS PRODUCT IS LIMITED IN DURATION TO THE DURATION OF THIS WARRANTY.

Some states do not allow the exclusion or limitation of incidental or consequential damages, or allow limitations on how long an implied warranty lasts, so the above limitations or exclusions may not apply to you. This warranty gives you specific legal rights, and you may have other rights that vary from state to state.

For warranty or repair service, call 1-800-234-0604 or email consumerservice@vornado.com to obtain a Return Authorization (“RA”) form. Please have or include your Product’s model number and serial number, as well as your name, address, city, state, zip code and phone number when contacting Vornado for warranty service. After receiving the RA form, ship your Product to:

Vornado Air LLC
Attn: Warranty & Repair
415 East 13th Street
Andover, KS 67002

For your convenience, please have your model number and serial number when contacting Vornado with service inquiries. To assure proper handling, packages must be clearly marked with the RA number. Packages not clearly marked with

the RA number may be refused at the receiving dock. Please allow 1-2 weeks for repair and return of your Product after the Product is received. For your records: Staple or attach your original sales receipt to this Owner’s Guide. Please also write your product’s serial number below (located on product specs decal).

Serial No. _____

Product registration available online at www.vornado.com
© 2009 Vornado Air LLC Andover, KS 67002
Patent Pending. Specifications subject to change without notice.
Designed, engineered and supported in the U.S.A. Manufactured in China.
Vornado® is a trademark owned by Vornado Air LLC.

VORNADO CONSUMER SERVICES



www.vornado.com



consumerservice@vornado.com



1.800.234.0604

DIRECTIVES IMPORTANTES

Lisez attentivement et gardez ces instructions

Afin de réduire le risque de feu, de décharge électrique et de blessures corporelles lorsque vous utilisez des appareils électriques, des mesures de sécurité de base doivent toujours être suivies, y compris :

- LISEZ le mode d'emploi au complet avant d'utiliser l'humidificateur.
- ARRÊTEZ l'humidificateur si l'humidité relative excède 60 %. Les niveaux d'humidité dépassant le 60 % peuvent provoquer une accumulation d'humidité à l'intérieur de la maison et se condenser sur les surfaces, où les microorganismes peuvent facilement s'établir et se reproduire. Pour une lecture précise d'humidité, utilisez un hygromètre disponible dans la plupart des quincailleries ou centres d'achats.
- DÉBRANCHEZ l'humidificateur avant de le déplacer, le nettoyer ou le remplir.
- DÉBRANCHEZ et videz l'humidificateur qu'il n'est pas en fonctionnement.
- VIDEZ l'eau de l'appareil si l'humidificateur doit être éteint et laissé pour plus de 12 heures, puisque l'eau peut encourager le développement de microorganismes.
Si cela arrive, nettoyez en profondeur et désinfectez l'appareil. (Référez-vous aux instructions sur l'ENTRETIEN HEBDOMADAIRE.)
- Si vous devez déplacer l'humidificateur à un autre endroit, premièrement ENLEVEZ le réservoir d'eau.
- Cet humidificateur a besoin d'un nettoyage périodique. Référez-vous aux instructions fournies sur l'ENTRETIEN HEBDOMADAIRE. NE nettoyez PAS l'humidificateur en quelque manière autre que selon les instructions de ce manuel.
- N'utilisez PAS l'humidificateur sur une surface irrégulière. Placez toujours l'humidificateur sur une surface ferme et plane.
- NE PAS déjouer la mesure de sécurité de la fiche polarisée. Ce produit est équipé avec une prise polarisée de courant alternatif (l'une des lames est plus large que l'autre). Cette fiche entrera dans une prise de courant seulement d'un côté. Ceci est un DISPOSITIF DE SÉCURITÉ.
Si vous ne parvenez pas à faire entrer la fiche dans la prise, inversez la fiche. Si la fiche n'entre pas dans la prise, contactez un électricien qualifié afin d'installer une prise adéquate.
- NE PAS utiliser l'humidificateur dont le cordon d'alimentation ou la fiche est endommagée, ou après un dysfonctionnement de l'humidificateur ou dans le cas où l'appareil aurait été échappé ou endommagé d'une manière quelconque. Retournez l'appareil à Vornado pour une vérification, un ajustement électrique ou mécanique ou une réparation.
- NE PAS faire passer le cordon d'alimentation sous le tapis.
- NE couvrez PAS le cordon avec des carpettes, des tapis de couloir ou d'escalier, ou tout autre objet similaire. Placez le cordon d'alimentation loin des zones de circulation, de sorte qu'il ne deviendra pas un risque de trébuchement.
- NE PAS placer l'humidificateur à proximité de sources de chaleur comme les fours, les radiateurs ou les appareils de chauffage.

- NE PAS verser de l'eau en dessus de la grille de sortie d'air sur la tête motrice.
- N'utilisez PAS de javellisant non dilué ou de l'ammoniaque, de détergents trop forts, de nettoyants abrasifs, d'essence, de diluant à peinture ou d'autres solvants pour nettoyer cet humidificateur. Utilisez uniquement de l'eau et les détergents doux pour effectuer l'entretien quotidien de votre humidificateur.
- NE TENTEZ PAS DE DÉSASSEMBLER LA TÊTE MOTRICE. LE FAIRE ANNULERA VOTRE GARANTI ET POURRAIT CAUSER DES DOMMAGES ET/OU DE LÉSIONS CORPORELLES. La tête motrice ne contient aucune pièce réparable par l'utilisateur. Si vous éprouvez un problème, veuillez voir la garantie limitée pour des informations.
- NE PAS enlever et remplacer plusieurs fois le réservoir d'eau. Cela remplira seulement la Base et l'eau se renversera.
- L'humidificateur devrait être gardé loin des enfants et n'est pas être placé dans la chambre d'un enfant sans supervision.

Voir page 15 pour la liste des pièces et l'identification.

Si vous avez des questions concernant ce produit, veuillez appeler le service à la clientèle de Vornado sans frais au 1-800-234-0604 ou envoyez un courriel à consumerservice@vornado.com

Lisez attentivement et gardez ces instructions

PIÈCES DE L'HUMIDIFICATEUR D'ÉVAPORATION VORNADO® EVAP2

Même si votre humidificateur d'évaporation Vornado® ne nécessite aucun assemblage, vous devez savoir comment retirer le réservoir d'eau et le filtre pour en faire le nettoyage et l'entretien ainsi que pour remplacer le filtre. L'appareil contient les éléments suivants :

GRILLE DE SORTIE D'AIR

Elle fait lancer la circulation Vornado's signature Vortex

TÊTE MOTRICE

Moteur puissant qui fait circuler l'air humidifié dans toute la pièce.

GRILLE D'ENTRÉE

Conçue pour une entrée efficace de l'air.

BASE

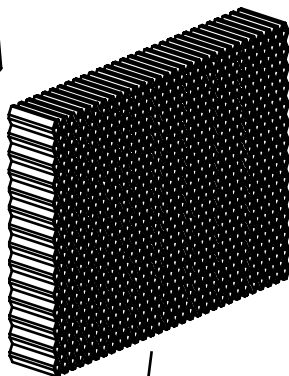
Durable et facile à nettoyer

TABLEAU DE COMMANDE

Facile à utiliser grâce à un interrupteur d'alimentation qui met l'appareil sous tension et hors tension; permet aussi de sélectionner la vitesse du ventilateur. Offre les sélections de vitesse HIGH (élevée), LOW (faible) ou AUTO. Permet de contrôler le degré d'humidité de 40 % à 60 %, ou de laisser l'appareil fonctionner continuellement. Choisissez FAN ONLY (ventilateur seulement) pour augmenter la vitesse du ventilateur sans diffusion d'humidité. Les voyants DEL indiquent les réglages actuels.

HYGROSTAT

Il indique l'humidité existante dans la chambre pour un contrôle automatique de l'humidité.



FILTRE

Le filtre à évaporation Vornado® s'imbibe d'eau et filtre les impuretés.

RÉSERVOIR D'EAU

La grande capacité de 1.1 gallons (4 litres) permet de faire moins de recharges.

BOUCHON

Bouchon facile à enlever pour un remplissage pratique du réservoir d'eau.

AVANT L'UTILISATION

NE PAS tirer l'humidificateur de la boîte par la poignée encastrée sur le réservoir d'eau. Le réservoir peut ainsi se détacher de l'appareil et pourrait provoquer la chute de l'humidificateur et son dommage. Prenez l'humidificateur par en bas dans la boîte, attrapez et soulevez-le du fond. Votre nouvel humidificateur utilise un important volume d'eau, alors nous recommandons de vérifier la base et le réservoir d'eau pour des fuites qui pourraient être endommagés comme résultat de l'envoi.

Veillez remarquer qu'une inspection visuelle pourrait ne pas révéler des fractures métalliques.

POUR VÉRIFIER DES FUITES :

- Placez l'humidificateur sur une surface résistante à l'eau.
- Retirez le réservoir d'eau et remplissez-le d'eau pour vérifier s'il y a des fuites (consultez les instructions de REMPLISSAGE ET INSTALLATION DU RÉSERVOIR D'EAU).
Versez ensuite plusieurs tasses d'eau dans la base et vérifiez s'il y a des fuites.

PAS DE FUITES?

Videz l'eau de la base et installez complètement le réservoir d'eau (voir Remplissage et Installation du réservoir d'eau pour obtenir des instructions complètes).

DES FUITES?

Dans le cas, peu probable, où votre humidificateur ait des fuites, veuillez contacter le service à la clientèle de Vornado et nous allons immédiatement remplacer ces pièces. 1-800-234-0604 ou consumerservice@vornado.com

POUR DÉBUTER

Les pages suivantes présentent des instructions sur les procédures suivantes :

Remplissage et installation du réservoir d'eau
Utilisation

Conseils d'utilisation

Remarques et suggestions quant à l'utilisation

Nettoyage

Entretien de fin de saison

Remplacement du filtre

REMPILIR & INSTALLER LE RÉSERVOIR D'EAU

L'humidificateur a une capacité de 4 litres (1.1 gallons) et une production d'environ 7,6 litres (2 gallons) en 24 heures. Pour le remplir, suivez ces instructions : Débranchez l'humidificateur.

Assurez-vous que l'humidificateur soit placé sur une surface ferme, plane et de niveau (nous vous recommandons le plancher). Comme pour tout appareil de remplissage d'eau, les déversements peuvent se produire, donc soyez prudent lors du remplissage et l'installation du réservoir d'eau, ainsi que du nettoyage ou le déplacement de l'humidificateur.

AJOUTER DE L'EAU

Retirez le réservoir d'eau en saisissant la poignée en creux et en la tirant vers vous (A). Retournez le réservoir à l'envers. Enlevez le bouchon (B). Si vous désirez remplir le réservoir, videz toute l'eau du réservoir avant de le remplir. Posez le réservoir à l'envers dans l'évier. Remplissez le réservoir avec de l'eau fraîche du robinet (C). Une fois le réservoir rempli, assurez-vous que le joint d'étanchéité (l'anneau en caoutchouc autour du bouchon) est en place, puis remettez le bouchon et vissez-le. Il peut être nécessaire d'appuyer sur le bouchon afin de comprimer le joint d'étanchéité avant de faire tourner le bouchon d'un quart de tour vers la droite pour le fermer complètement.

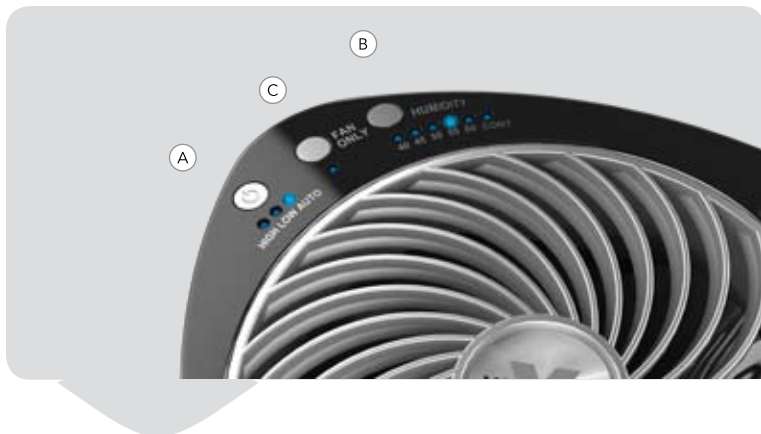
INSTALLER LE RÉSERVOIR D'EAU

Abaissez le réservoir à la Base, en positionnant le port de remplissage sur la bosse soulevée. Dès qu'elle soit dans une position imbriquée, la bosse activera la valve de sortie d'eau qui se trouve à l'intérieur du couvercle. Assurez-vous que le réservoir soit ajusté de façon ferme sur la Base.



ENTRETIEN QUOTIDIEN RAPIDE

1. Videz le réservoir avant de remplir avec de l'eau propre. Rincez, essuyez et séchez à l'aide d'un linge propre ou un essuie-tout.
2. Remplissez le réservoir pour atteindre la marque avec de l'eau fraîche et propre du robinet. Ne pas trop remplir.
3. Abaissez les réglages de contrôle de l'humidité ou arrêtez l'humidificateur si des poches d'humidité se forment sur des murs ou fenêtres.



FAIRE FONCTIONNER L'HUMIDIFICATEUR

ÉTAPE 1

Positionnez l'appareil pour ne pas souffler directement sur des objets ou des plantes. Branchez l'appareil dans une prise de courant CA de 110-120 volts.

ÉTAPE 2

Pour mettre l'appareil sous tension, appuyez sur la touche d'alimentation (A). Les voyants de vitesse du ventilateur (A) et de degré d'humidité (C) s'allumeront en fonction des réglages par défaut, soit HIGH (élevée) pour la vitesse du ventilateur et humidité continue.

ÉTAPE 3

Choisissez les réglages pour l'utilisation désirée.

(A) Touche d'alimentation, vitesse du ventilateur – HIGH (élevée), LOW (faible) et AUTO

Sélectionnez la vitesse du ventilateur en appuyant sur la touche d'alimentation jusqu'à ce que le réglage désiré s'allume.

HIGH (élevée) – permet d'humidifier rapidement les grandes pièces. À ce réglage, 2 gallons (7,6 litres) d'eau (+/- 10 %) s'évaporeront en 24 heures d'utilisation continue (si la pièce est chauffée à 70 °F [21 °C] avec 30 % d'humidité relative).

LOW (faible) – fonctionnement silencieux pendant la nuit ou utilisation dans les petites pièces. À ce réglage, votre humidificateur peut fonctionner longtemps sans avoir à être rempli.

AUTO – permet de contrôler l'humidité de façon plus précise. La vitesse du ventilateur variera; selon le cas, elle sera élevée ou faible ou le ventilateur s'arrêtera afin de maintenir le degré d'humidité établi en réduisant au minimum le bruit du ventilateur.

(B) Commande du degré d'HUMIDITÉ – 40 % à 60 % ou continu

Réglez le degré d'humidité en appuyant sur la touche HUMIDITY jusqu'à ce que le degré désiré s'allume. L'humidificateur fonctionnera jusqu'à ce que le degré d'humidité désiré soit atteint. À ce moment, le ventilateur s'arrêtera ou passera à la vitesse faible s'il est réglé au mode AUTO. Le voyant de degré d'humidité restera allumé. Si le ventilateur ne démarre pas, le degré d'humidité choisi est peut-être inférieur au degré d'humidité de la pièce. Augmentez le degré d'humidité de l'appareil jusqu'à ce que le ventilateur démarre. Vous obtenez ainsi une indication quant au degré d'humidité actuel de la pièce.

(C) VENTILATEUR SEULEMENT

Choisissez ce réglage pour utiliser la circulation tourbillonnaire exclusive à Vornado sans diffusion d'humidité. En mode FAN ONLY (ventilateur seulement), il est impossible de choisir la vitesse du ventilateur (A) et le degré d'humidité (B). Le ventilateur fonctionnera à une vitesse plus élevée et aucune humidité ne sera diffusée. Pour vous assurer qu'aucune humidité n'est produite, retirez le filtre et asséchez complètement l'intérieur de la base. (Pour savoir comment retirer le filtre, consultez REMPLACEMENT DU FILTRE à la page 21.)

DIRECTIVES DE FONCTIONNEMENT

LISEZ ATTENTIVEMENT AVANT D'UTILISER

Un humidificateur est très utile pour fournir de l'humidité nécessaire pour sécher à l'air. Il devrait être utilisé avec les soins appropriés pour prévenir un excès d'humidification. Une bonne règle empirique est de mesurer la condensation ou le givre sur les fenêtres. Ajustez votre humidificateur ou l'hygrostat à un point où cette condition est à un minimum. Ces réglages devraient être apportés lorsque des modifications majeures dans la température extérieure se produisent. Les humidificateurs peuvent être placés dans n'importe quel endroit qui est convenant et qui assure une distribution de l'air humide sur l'espace de vie.

La sortie à mesurer d'un humidificateur est basée sur un fonctionnement continu dans des conditions nominales standard. Avec des variations normales des conditions à l'intérieur et à l'extérieur, l'humidificateur contrôlé par hygrostat ne fonctionnera pas de façon continue, à la puissance maximale, à moins que les contrôles soient ajustés pour le faire.

Exigences initiales d'humidité : Lors de la première installation ou du fonctionnement au début de chaque saison, l'humidificateur équipé d'un hygrostat peut fonctionner de façon continue pour un jour ou deux et, par conséquent, évaporer de grandes quantités d'humidité. Lorsque la maison et les meubles ont absorbé l'humidité et se sont stabilisés au niveau d'humidité souhaitée, la quantité d'eau utilisée diminue et le fonctionnement de l'humidificateur conservera le niveau d'humidité souhaitée.

En outre, si vous ne suivez pas les directives recommandées de soins et d'entretien, des microorganismes pourraient se développer dans l'eau du réservoir et de la base de l'humidificateur.

SUGGESTIONS ET NOTES DE FONCTIONNEMENT

Il y a plusieurs choses à prendre en considération quand votre humidificateur d'évaporation Vornado est en fonctionnement.

- Il est normal d'entendre un son bouillonnement ou gargouillement lorsque l'eau est distribuée dans la base.
- Si vous faites fonctionner votre humidificateur de façon continue, il peut être nécessaire de le remplir avec de l'eau tous les jours. Simplement regardez à travers du réservoir pour être certain qu'il existe un approvisionnement approprié d'eau pour le fonctionnement.
- Protégez le réservoir d'eau des dommages. Les trous ou d'autres dommages au réservoir peuvent provoquer se passer de son contenu et occasionner le renversement de l'eau sur le plancher ou d'autres surfaces.
- Lors de l'installation du filtre, vérifiez qu'il est placé dans la bonne position; il doit être appuyé tout contre la grille d'entrée et reposer à plat sur la base.
- Lors de la première utilisation, les filtres peuvent dégager une légère odeur. L'odeur n'est pas dangereux et disparaissent après les premières heures de fonctionnement. Si l'odeur est exceptionnellement forte, vous pouvez aider à éliminer la plupart ou la totalité de celui-ci en trempant les filtres de 20 à 20 minutes dans une solution de 2 cuillers de vinaigre blanc par gallon (3,8 litres) d'eau. Rincez complètement.
- Si vous éteignez votre humidificateur avec de l'eau dedans et ne le rallumez pas pour 12 heures ou plus, vous pouvez rencontrer certain développement d'algues ou de bactéries. Si cela se produit, nous recommandons un nettoyage en profondeur de l'appareil. (Voir les instructions d'ENTRETIEN HEBDOMADAIRE.)
- Nous recommandons que vous fassiez fonctionner votre humidificateur de façon continue. Cela aide à garder l'humidité toute la journée, ne coûte que quelques sous par jour, et n'endommagera pas l'appareil.

NETTOYAGE

Le nettoyage est recommandé pour le bon fonctionnement de votre humidificateur Vornado. Nous suggérons de suivre le régime de nettoyage de l'association américaine AHAM (Association of Home Appliance Manufacturers) plusieurs fois au cours de la saison.

ÉTAPE 1 - Éteignez l'humidificateur et débranchez l'appareil.

ÉTAPE 2 - Retirez la cuve d'eau et le filtre (consultez la page 21 pour de plus amples instructions).

ÉTAPE 3 - Videz la base et le réservoir d'eau et rincez avec de l'eau propre du robinet.

ÉTAPE 4 - Comme on l'a noté, en fonction de la qualité de l'eau dans votre maison, les impuretés peuvent s'accumuler rapidement ou prendre un certain temps. Il est possible que certain tartre puisse se produire à l'intérieur de la base.

1. Mélangez 8 oz (225 ml) de vinaigre blanc non dilué et un gallon (3,8 l) d'eau. Remplissez la base de cette solution; jetez la solution restante, s'il y a lieu. Laissez la solution agir pendant 20 minutes.
2. Videz après 20 minutes et nettoyez toutes les surfaces à l'intérieur avec une brosse souple. Mouillez un chiffon doux avec du vinaigre blanc non dilué et essuyez la Base pour le détartrage. Utilisez la brosse de nettoyage qui se trouve dans la Base pour nettoyer en profondeur, spécialement autour du transducteur. La brosse a une extrémité pour gratter et l'autre à bouts arrondis pour nettoyer.
3. Rincez en profondeur avec de l'eau propre et chaude pour le détartrage et un produit de nettoyage avant de désinfecter la Base.

DÉSINFECTION DE LA BASE

1. Mélangez une cuiller à thé de javellisant chloré et un gallon (3,8 l) d'eau. Remplissez la base de cette solution; jetez la solution restante, s'il y a lieu. Laissez la solution agir pendant 20 minutes. Mouillez toutes les surfaces.
2. Videz la Base après 20 minutes. Rincez avec de l'eau jusqu'à ce que l'odeur

du javellisant ait disparu. Asséchez à l'aide d'un linge propre ou d'un essuie-tout.

3. Nous recommandons de remplacer le filtre après utilisation. Toutefois, si vous désirez prolonger la durée de vie du filtre, désinfectez-le en le lavant dans une solution composée d'une cuiller à thé de javellisant chloré et d'un gallon (3,8 l) d'eau. Rincez-le ensuite à fond pour éliminer l'odeur du javellisant.
4. Installez de nouveau le filtre et le réservoir d'eau. Pour que l'appareil fonctionne adéquatement, tous les composants doivent être correctement installés.

FIN DE LA SAISON D'ENTRETIEN

1. Suivez les instructions pour un entretien hebdomadaire à la fin de la saison d'humidification ou quand l'humidificateur ne sera pas utilisé pour une semaine ou plus.
2. Attendez que l'humidificateur soit complètement sec avant de le ranger. Ne rangez pas l'humidificateur si le réservoir ou la base contient de l'eau.
3. Garder dans un endroit frais et sec.
4. Retirez le filtre et jetez-le s'il n'est plus utilisable. Ne rangez pas l'humidificateur si son filtre est humide. Si le filtre est encore utilisable, retirez et videz l'eau de la base et du réservoir d'eau; remettez le réservoir d'eau, puis réglez le bouton d'alimentation à la vitesse élevée du ventilateur et laissez l'appareil fonctionner jusqu'à ce que le filtre soit entièrement sec. N'oubliez pas d'acheter de nouveaux filtres Vornado afin que votre humidificateur soit prêt pour la prochaine saison d'utilisation. Visitez vornado.com pour acheter de nouveaux filtres ou inscrivez-vous au programme de remplacement automatique des filtres.
5. Nettoyez l'humidificateur avant que la prochaine saison arrive.

FILTRES DE REMPLACEMENT

Les minéraux et les autres impuretés qu'on retrouve naturellement dans tout approvisionnement en eau peuvent s'accumuler dans le filtre. Votre humidificateur est doté d'un filtre. Néanmoins, vous devrez remplacer ce filtre au bout d'un certain temps, car il durera de quatre à huit semaines environ, selon l'utilisation. Vous saurez que le filtre a besoin d'être remplacé quand il a durci et qu'il n'absorbe plus l'eau efficacement. Remplacez le filtre uniquement par un filtre original de marque Vornado®. Bien que les filtres d'autres marques puissent être utilisés dans nos appareils, ils n'offrent pas la qualité et la durée de vie des nôtres; ils peuvent même nuire à la performance de l'humidificateur.

POUR REMPLACER LES FILTRES

ÉTAPE 1 - Débranchez l'appareil.

ÉTAPE 2 - Retirez la cuve d'eau (A).

ÉTAPE 3 - Retirez et jetez le filtre usagé.

ÉTAPE 4 - Installez un nouveau filtre Vornado original en le pliant légèrement afin qu'il suive la courbe de l'appareil. Assurez-vous que le filtre est placé tout contre le fond de l'appareil et bien appuyé sur la grille d'entrée.

ÉTAPE 5 - Remettez la cuve d'eau.



ALLONGER LA DURÉE DE VIE DU FILTRE.

Problème : Le sodium supplémentaire dans l'eau chimiquement adoucie

peut provoquer le durcissement et la perte de fermeté des filtre.
Solution : Essayez d'utiliser de l'eau du robinet ou non-traitée.

Problème : L'eau dure ou l'eau avec une quantité excessive de minéraux, tels que le fer ou la chaux, peut raccourcir la durée de vie du filtre.

Solution : Essayez le Bactériostatique ou le traitement de l'eau trouvés dans la plupart des magasins de matériels ou spécialisés pour la maison. Ou enlevez périodiquement les filtres et nettoyez-les en les trempant dans l'eau fraîche du robinet (assez pour couvrir les filtres) avec deux cuillères de vinaigre blanc. Laissez reposer 20 minutes, puis rincez à l'eau froide. Laissez couler l'excès d'eau puis séchez avant de les remplacer dans la Base. Ne pas tordre.

Problème : Laisser les filtres trop longtemps dans un humidificateur rempli sans le ventilateur en fonctionnement peut provoquer la moisissure, le mildiou et la détérioration.

Solution : Si l'humidificateur est rempli, ne le laissez pas arrêté pour plus de huit heures.

TROUVER DES FILTRES DE REMPLACEMENT

Consultez votre détaillant pour des filtres Vornado ou commandez avec le service à la clientèle de Vornado : www.vornado.com, consumerservice@vornado.com, 1.800.234.0604.

PLAN DE FILTRES DE REMPLACEMENT AUTOMATIQUE DE VORNADO

Ce programme vous offre une façon pratique et sans tracas pour recevoir régulièrement des envois des filtres originaux pour l'humidificateur Vornado, directement à votre porte ! Éliminez l'inconvénient de vous rappeler de commander. Assurez la haute efficacité de votre humidificateur Vornado en remplaçant périodiquement les filtres utilisés par des nouveaux.

COMMENT CELA MARCHE-T-IL

Vous sélectionnez un plan et Vornado vous envoie les filtres de remplacement à chaque intervalle d'entretien recommandé. Pour vous inscrire ou obtenir plus d'informations, visitez le site www.vornado.com ou téléphonez au 1-800-234-0604. Vous pouvez annuler à tout moment.

VORNADO AIR LLC GARANTIE LIMITEE DES 5 ANNEES

Vornado Air LLC ("Vornado") garanti au consommateur original ou à l'acheteur que les Vornado Evaporative Vortex Humidifier Evap2 ("Produit") sont exempts de tout défaut de fabrication ou de main-d'oeuvre pendant une période de cinq (5) ans. Si un tel défaut apparaissait durant la période de garantie, Vornado Air LLC réparera ou remplacera le Produit, à sa discrétion et sans frais. Les réparations non couvertes par la garantie ou à l'extérieur de la période de garantie nécessiteront des frais pour couvrir le coût minimal du matériel, de la manutention et du transport.

Cette garantie ne s'applique pas sur les défauts résultants d'un usage abusif du Produit, de modifications, d'altérations, de réparations ou de service sur le Produit par n'importe qui d'autre que Vornado, une mauvaise manutention, un entretien inadéquat, un usage commercial du Produit, des dommages qui se produisent dans le transport ou qui sont attribués à un acte de Dieu.

LA RÉPARATION OU LE REMPLACEMENT FOURNI SOUS CETTE GARANTIE EST LE SEUL RECOURS DU CONSOMMATEUR. VORNADO NE PEUT ÊTRE TENU RESPONSABLE POUR UN INCIDENT OU DES DOMMAGES RÉSULTANT DE L'UTILISATION DE CE PRODUIT OU SE PRODUISANT À LA SUITE D'UNE VIOLATION DE CETTE GARANTIE À L'EXCEPTION QU'UNE LOI PEUT L'INTERDIRE JUSQU'À UNE CERTAINE MESURE, TOUTE GARANTIE SOUS-ENTENDUE INCLUANT LES GARANTIES DE MARCHANDABILITÉ OU DE L'USAGE PARTICULIER EST LIMITÉ À LA DURÉE DE CETTE GARANTIE

Certaines provinces ou états n'autorisent pas l'exclusion ou la limite de dommages circonstanciels ou conséquents, ou permettent des limitations quant à la durée qu'une garantie peut avoir, de sorte que les limites ou exclusions ci-dessus ne s'appliqueraient pas pour vous. La présente garantie vous confère des droits juridiques spécifiques, et vous pourriez également jouir d'autres droits selon votre province ou état.

Pour la garantie ou pour la réparation, appelez au 1-800-234-0604 ou envoyez un courriel au consumerservice@vornado.com pour obtenir un formulaire d'Autorisation de Retour (« AR »). Veuillez avoir ou inclure votre numéro de modèle ainsi que le numéro de série de votre Produit et votre nom, adresse, ville, état ou province, code postal et numéro de téléphone lorsque vous contactez Vornado pour du service concernant la garantie. Après avoir reçu votre formulaire AR, envoyez votre Produit à :

Vornado Air LLC
Att: Garantie et Réparation
415 East 13th Street
Andover, KS 67002

Pour améliorer le service, veuillez avoir votre numéro de modèle et le numéro de série lorsque vous contactez Vornado pour toutes questions concernant le service.

Pour vous assurer d'une manutention adéquate, les paquets doivent être clairement identifiés avec le numéro de AR. Les paquets n'étant pas clairement identifiés avec le numéro d'AR peuvent être refusés au quai de réception. Veuillez allouer 1 à 2 semaines pour la réparation et le retour de votre Produit une fois que le produit est reçu.

Pour vos dossiers: Brochez ou attachez votre reçu de vente original à ce Guide de l'Utilisateur.

Veuillez aussi écrire le numéro de série de votre produit (situé sur l'étiquette de spécification de votre produit).

Numéro de série _____

Enregistrement de l'appareil disponible en ligne au www.vornado.com
©2009 Vornado Air LLC Andover, KS 67002 Étrangés en Attente.

Les spécifications peuvent changer sans préavis.

Vornado® sont des marques de commerce possédées par Vornado Air LLC.

Conçu et exécuté sur plan d'ingénieur aux États-Unis. Fabriqué en Chine.

ENREGISTREMENT PRODUIT DISPONIBLE EN LIGNE : WWW.VORNADO.COM

VORNADO CONSUMER SERVICES



www.vornado.com



consumerservice@vornado.com



1.800.234.0604

INSTRUCCIONES IMPORTANTES

Por favor, lea y conserve estas instrucciones

Siempre que utilice artefactos eléctricos, deberá tomar precauciones básicas de seguridad para reducir el riesgo de incendios, descargas eléctricas y daños personales, incluyendo las siguientes:

- Lea todas las instrucciones antes de utilizar este humidificador.
- Apague el humidificador si la humedad ambiente supera el 60%. Niveles de humedad superiores al 60% podrían provocar la condensación sobre las superficies del ambiente favorable al asentamiento y crecimiento de microorganismos. Para obtener lecturas precisas de humedad, use un higrómetro como los que se venden en la mayoría de las ferreterías y casas de artículos para el hogar.
- Desenchufe el humidificador antes de moverlo, limpiarlo o llenarlo.
- Desenchufe y vacíe el humidificador cuando no lo use.
- Vacíe el agua de la unidad si no utilizará el humidificador por más de 12 horas, ya que el dejarlo con agua favorecerá el crecimiento de microorganismos. Si esto sucediera, limpie profundamente y desinfecte la unidad, (Consulte las instrucciones de MANTENIMIENTO SEMANAL).
- Si necesita desplazar el humidificador a otra ubicación, primero remuévale el tanque de agua.
- Este humidificador requiere una limpieza periódica. Consulte las instrucciones de MANTENIMIENTO SEMANAL provistas. NO limpie el humidificador de ninguna manera que no sea la indicada en este manual.
- NO use este humidificador sobre una superficie despareja. Colóquelo siempre sobre una superficie firme y plana.
- NO ignore el propósito de seguridad del enchufe polarizado. Este producto viene equipado con un enchufe de alimentación de CA polarizado (con una pata más ancha que la otra). Este enchufe solo podrá ser conectado en un tomacorriente en una única posición. Esta es una MEDIDA DE SEGURIDAD. Si no puede insertar totalmente el enchufe en el tomacorriente, pruebe rotarlo. Si el enchufe aún no entra en el tomacorriente, llame a un electricista calificado para que reemplace el tomacorriente antiguo.
- NO utilice el humidificador si el cable o el enchufe están dañados o luego de una falla, o si ha sufrido cualquier tipo de daño o caída. Devuélva el artefacto a Vornado para su inspección, ajuste eléctrico o mecánico, o reparación.
- NO instale el cable de alimentación debajo de alfombras.
- NO cubra el cable con alfombrillas, tapetes u objetos similares. Coloque el cable de alimentación alejado de las áreas de circulación, de manera de que no se transforme en un riesgo de tropezones.
- NO coloque el humidificador cerca de fuentes de calor como estufas, radiadores o calefactores.
- NO vierta agua a través de la rejilla de toma de aire superior, sobre el cabezal eléctrico.
- NO use lavandina o amoníaco sin diluir, detergentes fuertes, limpiadores abrasivos, gasolina, diluyentes u otros solventes para limpiar este humidificador. Use solamente agua y detergentes suaves para realizar el mantenimiento diario de su humidificador.
- **NO INTENTE DESARMAR EL CABEZAL ELÉCTRICO. AL HACERLO INVALIDARÁ SU GARANTÍA Y PODRÍA CAUSAR DAÑOS Y/O LESIONES PERSONALES.** El cabezal eléctrico no contiene partes reparables por el usuario. Si tiene algún problema, por favor refiérase a la información de garantía limitada.
- NO quite repetidamente el tanque de agua. Esto solo provocará el llenado de la base y se derramará agua.
- Los humidificadores deben mantenerse alejados de los niños y no deben colocarse en el cuarto de los niños sin supervisión.

Ver página 24 por la lista de partes y su identificación.

Si tiene alguna pregunta respecto a este producto, por favor llame al número gratuito del Servicio de atención al Cliente de Vornado, al 1-800-234-0604, o escriba a customerservice@vornado.com

PARTES DEL HUMIDIFICADOR DE EVAPORACIÓN VORNADO® EVAP2

Si bien el Humidificador por evaporación Vornado® no requiere ensamblado, usted debe saber cómo quitar el tanque de agua y el filtro para su limpieza, mantenimiento, y cambio del filtro. Los componentes son los que se indican a continuación:

REJILLA DE SALIDA DE AIRE

Inicia la exclusiva circulación vortex de Vornado.

CABEZAL DE POTENCIA

El motor potente hace circular el aire humidificado por todo el ambiente.

REJILLAS DE ENTRADA

Diseñadas para absorber aire de forma eficiente.

BASE

Son duraderos y fáciles de limpiar.

PANEL DE CONTROL

Funciona fácilmente con un interruptor de energía que enciende/apaga (ON/OFF) la unidad y le permite seleccionar la velocidad del ventilador. Ofrece diferentes velocidades; HIGH (Alta), LOW (Baja), o AUTO (Automática). Controla el nivel de humedad entre 40% y 60%, o permite que la unidad funcione de forma continua. Seleccione FAN ONLY (Sólo ventilación) para obtener una mayor velocidad de ventilación sin salida de humedad. Las luces LED de indicación muestran las configuraciones seleccionadas.

HUMIDISTATO

Mide la humedad en el ambiente para el control automático de humedad.

TANQUE DE AGUA

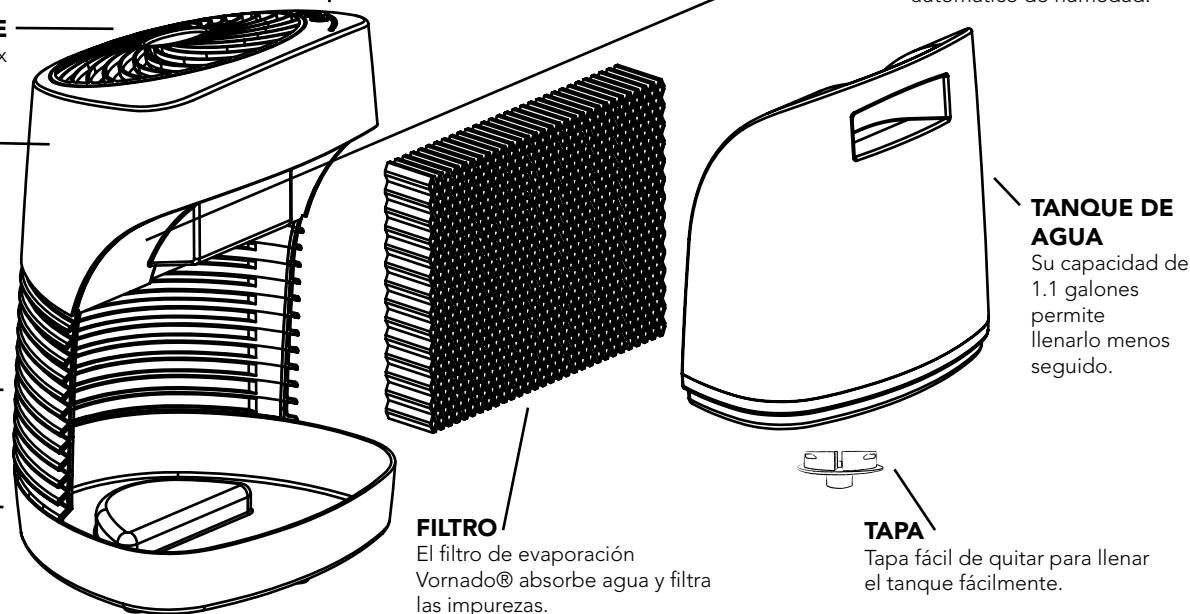
Su capacidad de 1.1 galones permite llenarlo menos seguido.

TAPA

Tapa fácil de quitar para llenar el tanque fácilmente.

FILTRO

El filtro de evaporación Vornado® absorbe agua y filtra las impurezas.



ANTES DE USARLO

NO saque el humidificador de su caja tirando de la manija empotrada del tanque de agua. Esto provocará que el tanque se desprenda del humidificador y que éste pueda caer y dañarse. En lugar de esto, lleve la mano hasta el fondo de la caja y tome y eleve al humidificador desde su parte inferior.

Su nuevo humidificador emplea una cantidad medible de agua, así que recomendamos revisar la base y el tanque para verificar la existencia de pérdidas causadas por daños durante el envío. Tenga en cuenta de que una inspección visual podría no detectar fracturas muy delgadas.

PARA VERIFICAR SI EXISTEN PERDIDAS:

- Coloque el humidificador sobre una superficie resistente al agua.
- Quite el tanque de agua y llénelo con agua para controlar la existencia de filtraciones (Para obtener instrucciones, consulte CÓMO LLENAR E INSTALAR EL TANQUE DE AGUA.)
- Luego, vierta varias tazas de agua en la base para controlar la existencia de filtraciones.

¿NO HAY PÉRDIDAS?

Vuelva el agua de la base e instale el tanque de agua completo (consulte la sección 'Llenado e instalación del tanque de agua' para más instrucciones).

¿HAY PÉRDIDAS?

Ante la menor sospecha de que existan fugas de agua en su Humidificador, consulte con el servicio de atención a clientes e inmediatamente reemplazaremos cualquiera de estas partes.
1-800-234-0604 ó consumerservice@vornado.com

PRIMEROS PASOS

Las siguientes páginas contienen instrucciones sobre lo siguiente:

- Cómo llenar e instalar el tanque de agua
- Cómo usar
- Pautas de funcionamiento
- Pautas de funcionamiento y sugerencias
- Limpieza
- Mantenimiento de fin de temporada
- Cambio del filtro

LLENADO E INSTALACIÓN DEL TANQUE DE AGUA

Este humidificador tiene una capacidad real de 1.1 galones y tiene una salida de 2 galones en 24 horas. Cuando tenga que volver a llenarlo, siga estas sencillas instrucciones: Desenchufe la unidad. Verifique que el humidificador esté sobre una superficie firme, plana y nivelada (le recomendamos el piso). Como en el caso de cualquier artefacto lleno de agua, puede salpicar, por lo tanto debe tener cuidado al llenar e instalar el tanque de agua y al limpiar o mover el humidificador.

AGREGADO DE AGUA

Quite el tanque de agua. Para ello, sujete la manija hueca y jale hacia usted. (A). Coloque el tanque de agua hacia abajo. Quite la tapa (B). Si va a recargar el tanque, vacíe el agua remanente en el interior del tanque antes de recargarlo. Coloque el tanque en el lavabo hacia abajo. Llene el tanque con agua fría del grifo (C). Luego de llenarlo, asegúrese de que la junta, el anillo de goma que se encuentra alrededor de la tapa, esté bien colocado y vuelva a colocar y ajuste la tapa. Es posible que deba presionar hacia abajo para comprimir la junta antes de girar la tapa 1/4 en sentido de las agujas del reloj hasta la posición correcta.

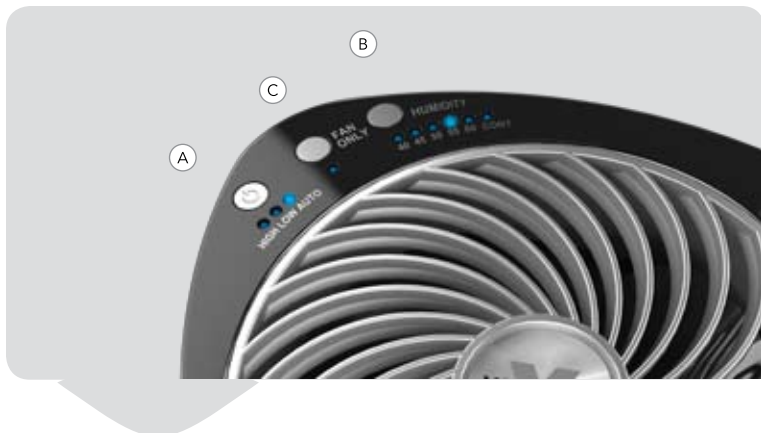
INSTALACIÓN DEL TANQUE DE AGUA

Descienda el tanque sobre la base, colocando el puerto de llenado sobre la elevación. La elevación activará la válvula de salida de agua dentro de la tapa una vez colocado en su lugar. Verifique que el tanque quede bien instalado en la base.



MANTENIMIENTO RÁPIDO DIARIO

1. Vacíe el tanque antes de volver a llenarlo con agua limpia. Enjuáguelo, repáselo y séquelo con un trapo limpio o una toalla de papel.
2. Llene el tanque hasta la marca de llenado con agua fresca y limpia del grifo. No lo llene de más.
3. Disminuya el ajuste de humedad o apague el humidificador si se acumula humedad en las paredes o ventanas.



OPERACIÓN DEL HUMIDIFICADOR

PASO 1

Ubique la unidad de modo que no descargue directamente sobre objetos o plantas. Enchufe la unidad en un tomacorriente de 110-120 voltios CA.

PASO 2

Para encender la unidad, presione el botón Power (Energía) (A). Las luces de indicación de velocidad del ventilador (A) y nivel de humedad (C) se encenderán en la configuración predeterminada – velocidad del ventilador ALTA, humedad constante.

PASO 3

Ajuste las configuraciones según el funcionamiento deseado.

(A) Botón de energía, velocidad del ventilador - ALTA, BAJA y AUTOMÁTICA

Para seleccionar la velocidad del ventilador, presione el botón de energía hasta que se ilumine la configuración deseada.

HIGH (Alta) – rápida humidificación de ambientes grandes. La velocidad alta evaporará 2 galones de agua (+/- 10%) en 24 horas de funcionamiento continuo. (Esto presupone condiciones ambientales de 70° F y 30% de humedad relativa.)

LOW (Baja) — funcionamiento silencioso, uso nocturno o ambientes pequeños. En la función LOW (Baja), el humidificador puede funcionar sin tener que rellenarlo durante extensos periodos de tiempo.

AUTO (Automática) – mayor control de la humedad. La velocidad del ventilador oscilará entre la opción alta, baja y apagado para mantener mejor el nivel de humedad seleccionado con una cantidad mínima de ruido del ventilador.

(B) Control del nivel de HUMEDAD - 40% - 60%, o Continuo

Para fijar el nivel de humedad, presione el botón HUMIDITY (Humedad) hasta que se ilumine el nivel de humidificación deseado. El humidificador funcionará hasta lograr el nivel de humedad deseado. En este punto, el ventilador se apagará, o bajará la velocidad si el ventilador está configurado en modo AUTO (Automático). La luz del indicador del nivel de humedad permanecerá encendida. Si el ventilador no se enciende, la configuración de humedad puede ser inferior al nivel de humedad del ambiente. Aumente el nivel seleccionado de humedad hasta que el ventilador se encienda. Esto es una indicación del nivel de humedad existente en el ambiente.

(C) SÓLO VENTILACIÓN

Seleccione la circulación vórtice de diseño exclusivo de Vornado sin salida de humedad. En el modo FAN ONLY (Sólo ventilación), las opciones velocidad del ventilador (A) y humedad (B) no estarán disponibles. La velocidad del ventilador funcionará con una configuración mayor y no habrá salida de humedad. Para garantizar que no haya salida de humedad, quite el filtro y seque bien el interior de la base. (Para obtener instrucciones sobre cómo quitar el filtro, consulte CAMBIO DEL FILTRO en la página 30.)

CONSEJOS DE OPERACIÓN

LEER ANTES DE USAR

Un humidificador es muy útil para incorporar humedad al aire seco. Sin embargo, debe ser usado con cuidado para evitar la sobre-humidificación. Una buena regla práctica sería evaluar la condensación o escarcha que se forme en las ventanas. Ajuste su humidificador o el humidistato de su humidificador de manera de mantener estos al mínimo. Este ajuste debería realizarse cada vez que haya cambios importantes en la temperatura exterior. Los humidificadores pueden colocarse en cualquier área habitable que tenga un lugar adecuado y que ofrezca una buena distribución del aire húmedo hacia el resto del área habitable.

La salida medida de un humidificador se basa en su operación continua en condiciones estándar de especificación. En situaciones donde existan variaciones normales de las temperaturas internas y externas del ambiente, el humidificador no operará continuamente, a menos de que se lo ajuste para hacerlo.

Requisitos iniciales de humedad: Cuando instale por primera vez o al principio de cada temporada un humidificador provisto de humidistato, éste podría permanecer en funcionamiento continuo por aproximadamente un día hasta evaporar la gran cantidad de humedad requerida. Cuando su hogar y mobiliario hayan absorbido la humedad necesaria y se establezcan al nivel de humedad deseado, disminuirá la cantidad de agua consumida y la operación del humidificador será solo para mantener dicho nivel de humedad.

Además, si usted no sigue las instrucciones recomendadas de cuidado y mantenimiento, pueden crecer microorganismos en el agua dentro de la base y tanque del humidificador.

NOTAS Y SUGERENCIAS DE OPERACIÓN

Existen varias cosas que debe saber respecto al funcionamiento de su Humidificador Vornado.

- Es normal escuchar un ruido de burbujes y gorgoteos cuando se agregue agua en la base.
- Si opera su humidificador de manera permanente, podría necesitar volver a llenarlo de agua diariamente. Simplemente mire a través del tanque para asegurarse que el nivel de agua en el mismo es el adecuado para funcionar.
- Evite daños en el tanque de agua. Cualquier perforación o daño en el tanque podría provocar la pérdida total de su contenido, con los resultantes derrames de agua en el piso u otras superficies.
- Al instalar el filtro, asegúrese de que se encuentre en la posición correcta, es decir, alineado perfectamente con la rejilla de entrada abierta y encajado sobre la base.
- Los filtros podrían dar un cierto olor suave durante su primer uso. Este olor no es dañino y se irá luego de unas pocas horas de operación. Si el olor fuera excepcionalmente fuerte, puede eliminarlo en gran parte remojando los filtros durante 20 o 30 minutos en una solución de 1 galón de agua con 2 cucharitas de vinagre. Luego enjuáguelos bien.
- Si apaga su humidificador con agua dentro y no vuelve a encenderlo dentro de las 12 horas siguientes, podría producirse el crecimiento de cierta cantidad de algas y bacterias. Si esto sucediera, recomendamos proceder con una limpieza profunda de la unidad. (Vea las instrucciones de MANTENIMIENTO SEMANAL).
- Recomendamos que opere su humidificador todo el tiempo. Esto ayudará a mantener la humedad a lo largo del día, solo le costará unos centavos diarios y no producirá daños a la unidad.

LIMPIEZA

Se recomienda mantener limpio su Humidificador Vornado para que éste funcione correctamente. Sugerimos seguir el régimen de limpieza de la AHAM ('Asociación de fabricantes de electrodomésticos' ó 'Association of Home Appliance Manufacturers') varias veces durante la estación.

PASO 1 - Apague el humidificador (OFF) y desenchufe la unidad.

PASO 2 - Quite el tanque de agua y el filtro. (Consulte la página 30 para obtener instrucciones).

PASO 3 - Vacíe la base y el tanque de agua y enjuáguelos con agua corriente limpia.

PASO 4 - Como ya se indicó, las impurezas podrían acumularse más o menos rápidamente dependiendo de la calidad del agua en su zona. Es posible que se forme algo de sarro en el interior de la base.

1. Prepare una solución de una (1) taza de 8 onzas de vinagre blanco sin diluir y 1 galón de agua. Coloque la solución en la base; deseche la solución restante. Deje que la solución repose durante 20 minutos.
2. Vacíela después de 20 minutos y limpie las superficies interiores con un cepillo suave. Humedezca un trapo blando con vinagre blanco puro y limpie la base para remover el sarro. Use el cepillo limpiador ubicado en la base para limpiarla bien, especialmente alrededor del transductor.
El cepillo tiene un extremo para raspar y cerdas en el otro.
3. Antes de desinfectar la base, enjuáguela bien con agua limpia y tibia para quitar el sarro y la solución limpiadora.

DESINFECCIÓN DE LA BASE

1. Prepare una solución de 1 cucharada de té de blanqueador de cloro y 1 galón de agua. Coloque la solución en la base; deseche la solución restante. Deje que la solución repose durante 20 minutos. Humedezca todas las superficies.
2. Vacíe la base después de 20 minutos. Enjuáguela con agua hasta que desaparezca el olor a lavandina. Séquela con un trapo limpio o una toalla de papel.

3. Le recomendamos que cambie el filtro luego de usarlo, pero para prolongar la vida útil del filtro, desinfectelo. Para ello, lávelo con una solución de una cucharada de té de blanqueador de cloro y un galón de agua. Enjuague bien para eliminar el olor a blanqueador.
4. Coloque nuevamente el filtro y el tanque de agua. Para un funcionamiento correcto, todos los componentes deben estar correctamente instalados.

MANTENIMIENTO DE FIN DE ESTACIÓN

1. Siga las instrucciones de mantenimiento semanal al final de la estación de humidificación o cuando sepa que no volverá a usar el humidificador durante una semana o más.
2. Deje secar el humidificador por completo antes de guardarlo. No lo guarde en caso de que haya agua dentro del depósito o la base.
3. Guárdelo en un lugar fresco y seco.
4. Quite y deseche el filtro si no sirve para volver a usarlo. No guarde el humidificador con el filtro húmedo. Si el filtro sirve para usarlo en el futuro, quite el agua de la base y del tanque de agua, vuelva a colocar el tanque de agua, gire la perilla Power (Energía) hasta la posición velocidad del ventilador alta (High) y deje la unidad en funcionamiento hasta que se seque totalmente el filtro.
No olvide comprar ahora filtros Vornado nuevos para que el humidificador esté listo para la próxima temporada. Visite vornado.com para comprar filtros nuevos o suscríbese en el Programa de reemplazo automático de filtros.
5. Limpie el humidificador antes del comienzo de la próxima estación.

REEMPLAZO DEL FILTRO

El filtro puede acumular minerales y otras impurezas que se producen naturalmente en el suministro de agua. Si bien el humidificador viene equipado con un filtro, usted deberá cambiarlo ya que los filtros duran entre 4 y 8 semanas aproximadamente, según el uso. Usted deberá cambiar el filtro cuando se ponga duro y ya no absorba el agua de forma eficaz. Cambie el filtro únicamente por un filtro original de marca Vornado®. Si bien pueden instalarse otras marcas en nuestras unidades, esos filtros no tienen la misma calidad y vida útil que nuestros propios filtros y pueden disminuir el rendimiento del humidificador.

PARA CAMBIAR EL FILTRO

PASO 1 - Desenchufe la unidad.

PASO 2 – Quite el tanque de agua (A).

PASO 3 – Quite y deseche el filtro usado.

PASO 4 - Instale un nuevo filtro original Vornado. Para ello, doble levemente el filtro para ajustarlo a la curvatura de la unidad. Asegúrese de que el filtro se alinee perfectamente con la parte inferior de la unidad y encaje en la rejilla de entrada.

PASO 5 - Vuelva a colocar el tanque de agua.



PARA EXTENDER LA VIDA ÚTIL DE LOS FILTROS

Problema : El exceso de sodio en aguas blandadas químicamente podría provocar el endurecimiento de los filtros o que los mismos se

pongan pastosos.

Solución : Trate de usar agua no tratada o agua corriente.

Problema : Aguas duras o con excesiva cantidad de minerales tales como cal o hierro podrían acortar la vida útil del filtro.

Solución : Pruebe con Bacteriostat o algún tratamiento para aguas de los que se venden en la mayoría de las ferreterías y casas de artículos para el hogar. O quite periódicamente los filtros y límpielos, dejándolos en remojo en agua corriente fría (la suficiente para cubrir los filtros) y dos cucharaditas de vinagre blanco. Déjelos reposar por 20 minutos y luego enjuague con agua corriente. Permita que escurra el exceso de agua y séquelos antes de volver a colocarlos en la base. No los estruje.

Problema : La permanencia durante mucho tiempo de los filtros dentro del humidificador apagado podría causar moho, hongos y deterioro.

Solución : Si el humidificador está lleno, no lo deje apagado por más de ocho horas.

PARA ENCONTRAR LOS FILTROS DE REPUESTO

Pregúntele a su vendedor u ordénelos contactando con el Servicio de atención a clientes de Vornado al: www.vornado.com, consumerservice@vornado.com, 1.800.234.0604.

PLAN DE REEMPLAZO AUTOMÁTICO DE FILTROS DE VORNADO

¡Este programa le ofrece una forma conveniente y libre de complicaciones de recibir regularmente y directamente en su domicilio los filtros genuinos Vornado! Elimine las complicaciones de tener que recordar los pedidos de reposición. Mantenga la alta eficiencia de su humidificador Vornado reemplazando con regularidad los filtros usados por otros nuevos.

CÓMO FUNCIONA

Seleccione un plan y Vornado le enviará automáticamente los filtros de recambio cuando se cumplan los intervalos recomendados de mantenimiento. Para registrarse o para más información, visite www.vornado.com o llame al 1- 800-234-0604. Cancele cuando lo desee.

VORNADO AIR LLC

Garantía Limitada de 5 años

Vornado Air LLC (“Vornado”) garantiza al comprador o consumidor original que este Vornado Evaporative Vortex Humidifier Evap2 (“Producto”) contra defectos de material o mano de obra durante un período de cinco (5) años. Si se descubriera cualquiera de estos defectos dentro del período de garantía, Vornado reparará o reemplazará el Producto, a su discreción, sin costo alguno. Las reparaciones no cubiertas por la garantía o fuera del período de garantía requerirán de un pago cubriendo el costo de materiales, manipuleo y envío. Esta garantía no se aplica a defectos producidos por el abuso del Producto, por su modificación, alteración, reparación o mantenimiento por personas ajenas a Vornado Air LLC, por mal manejo del mismo, mantenimiento inadecuado, uso comercial o daños producidos durante el envío o atribuibles a fuerza mayor.

LA REPARACIÓN O REEMPLAZO QUE SE OFRECE BAJO ESTA GARANTÍA ES LA ÚNICA SOLUCIÓN PROPORCIONADA PARA EL CLIENTE. VORNADO NO SERÁ RESPONSABLE POR NINGÚN DAÑO INCIDENTAL O INDIRECTO POR EL INCUMPLIMIENTO DE CUALQUIER GARANTÍA EXPRESA O IMPLÍCITA DE ESTE PRODUCTO. EXCEPTO HASTA EL ALCANCE PROHIBIDO POR LAS LEYES VIGENTES, TODA GARANTÍA IMPLÍCITA DE APTITUD O IDONEIDAD PARA UN USO EN PARTICULAR DE ESTE PRODUCTO QUEDA LIMITADA A LA DURACIÓN DE ESTA GARANTÍA.

Algunos estados no permiten limitaciones con respecto a cuánto dura una garantía implícita o la exclusión o limitación de daños imprevistos o consiguientes, por lo tanto las exclusiones o limitaciones anteriores pueden no aplicarse en su caso. Esta garantía le otorga derechos legales específicos; usted puede también tener otros derechos, los que varían de estado a estado. Por garantía o servicio de reparaciones, llame al 1-800-234-0604 o mande un correo electrónico a consumerservice@vornado.com para obtener el formulario de Autorización de Retorno (“RA”). Por favor, cuando contacte a Vornado por la garantía, tenga a mano o incluya en el envío los números de modelo y de serie de su Producto, así como su nombre, dirección, ciudad, estado, código postal y número de teléfono. Después de recibir el formulario RA, despache su Producto a:
Vornado Air LLC
Attn: Garantía y reparación
415 East 13th Street
Andover, KS 67002

Para su conveniencia, por favor tenga a mano los números de modelo y de serie cuando contacte Vornado por solicitudes de servicio.

Para asegurar el manejo adecuado, los embalajes deben estar claramente marcados con el número de RA. Los paquetes que no estén marcados claramente con dicho número de RA podrían ser rechazados en la dársena de recepción. Por favor espere entre 1 y 2 semanas después de la recepción del Producto para dar tiempo a la reparación y devolución del mismo. Para sus registros:

Abroche o adjunte su recibo original de compra a esta ‘Guía del Usuario’. Por favor, también escriba aquí abajo el número de serie de su Producto (ubicado en la calcomanía de especificaciones de su producto).

N° de serie _____

Registre su producto en línea en www.vornado.com

©2009 Vornado Air LLC Andover, KS 67002

Patentes pendientes. Especificaciones del producto sujetas a cambio sin previo aviso.

Vornado® son marcas registradas de Vornado Air LLC.

Diseñado y Maquinado en E.U.A. Fabricado en China.

REGISTRO DEL PRODUCTO DISPONIBLE EN INTERNET EN
WWW.VORNADO.COM

SERVICIO AL CLIENTE DE VORNADO

 www.vornado.com

 consumerservice@vornado.com

 1.800.234.0604



Vornado Air, LLC
415 East 13th Street, Andover, Kansas 67002
800.234.0604 | www.vornado.com

Speak your mind www.vornado.com/reviews
évaluer ce produit en ligne www.vornado.com/reviews
Hable con franqueza www.vornado.com/reviews